

FIGURE 3

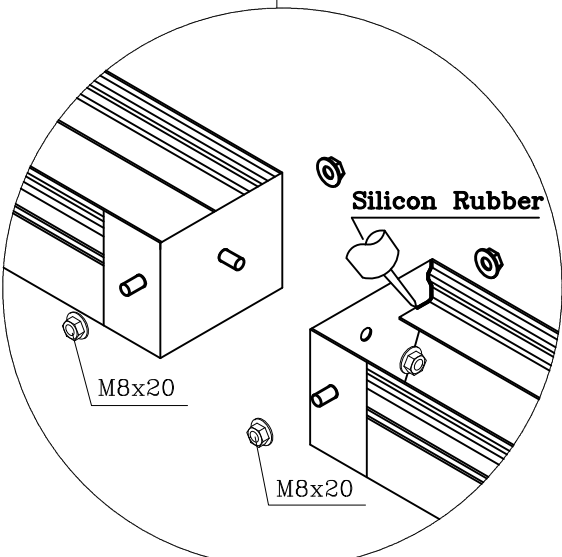


FIGURE 1

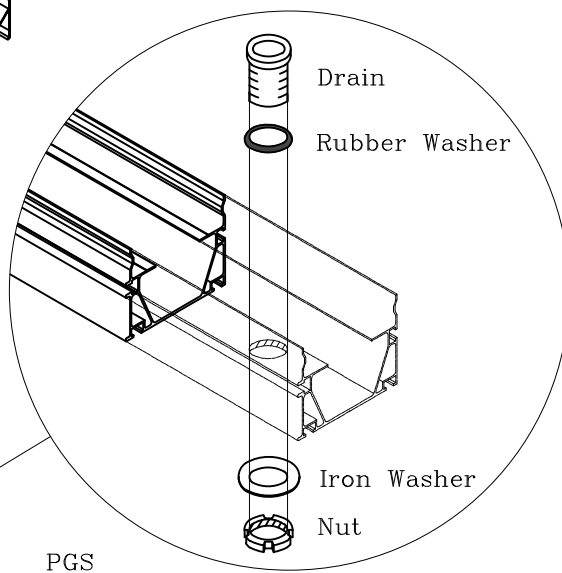
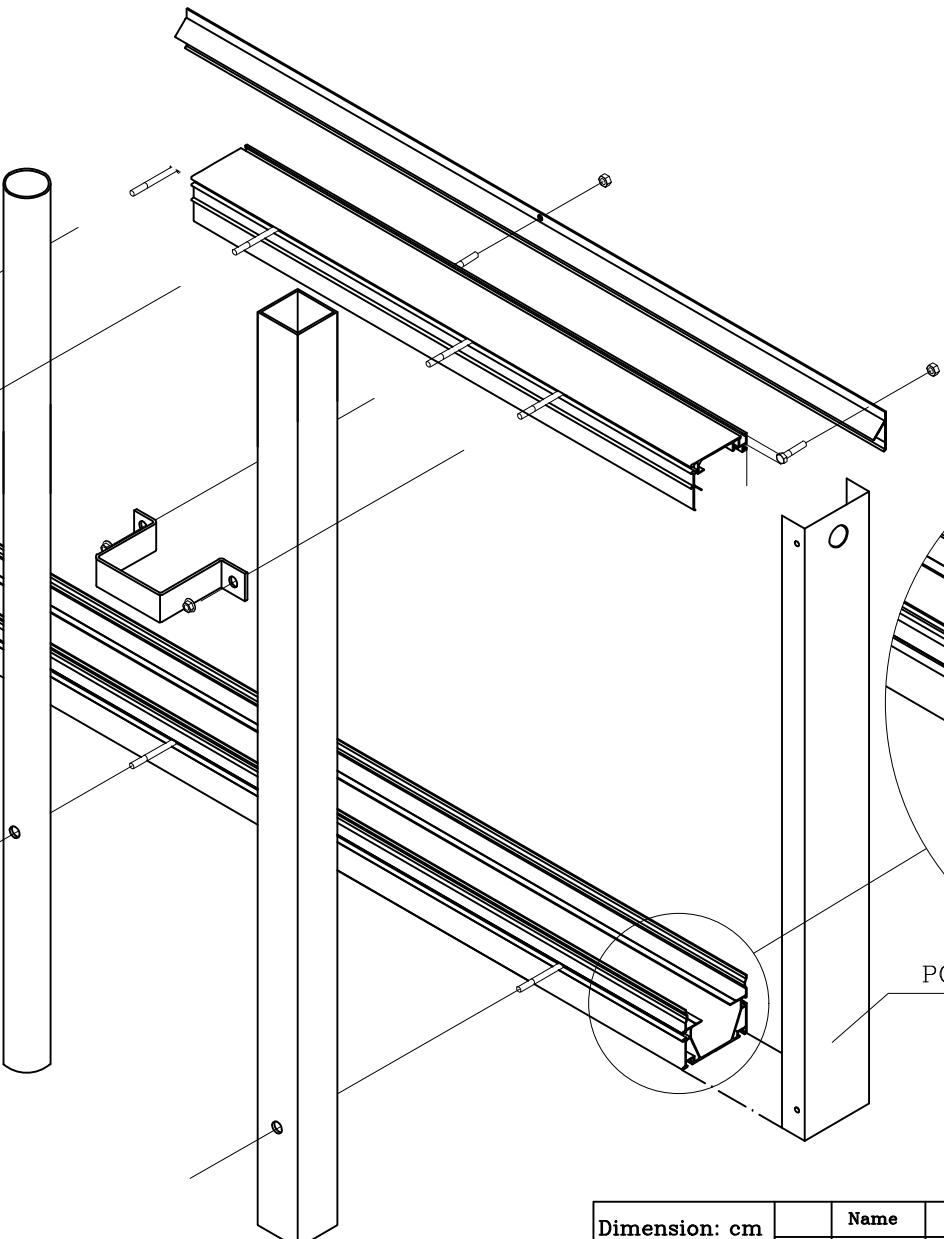


FIGURE 2

Dimension: cm	Name	Date
Page : 1 / 5	Design Forghani	93/1/28
	Draw M.rajabi	93/1/28
	Check Nasiri	93/1/28

Marsus.com

Tel : 88333758~9 Fax : 88023071
 P.O.Box : 13185~441
 Email: info@marsus.ir www.marsus.ir

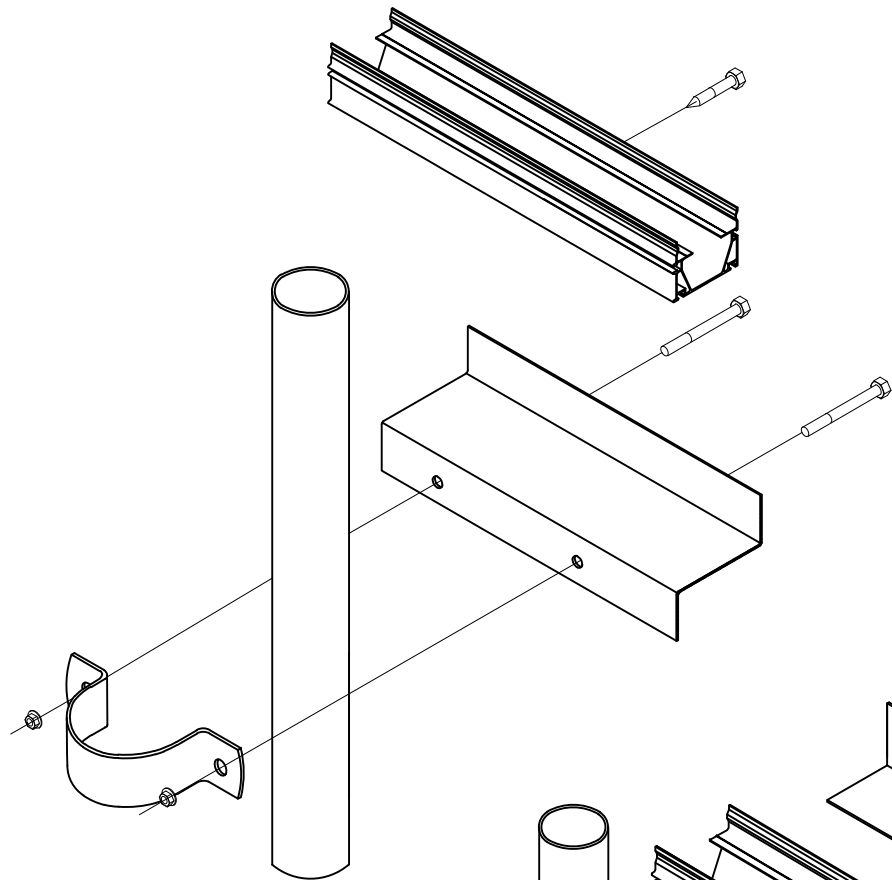


FIGURE 4

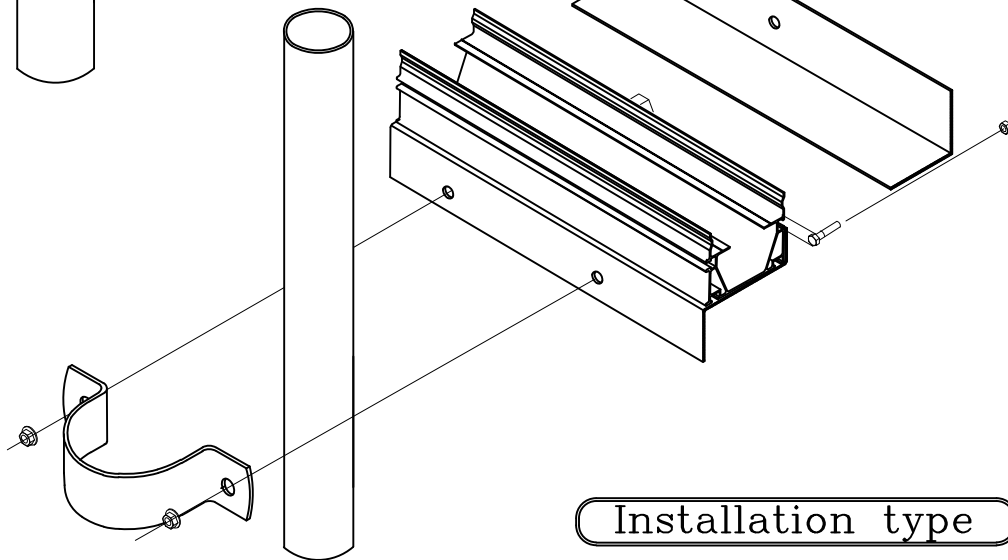


FIGURE 5

Installation type

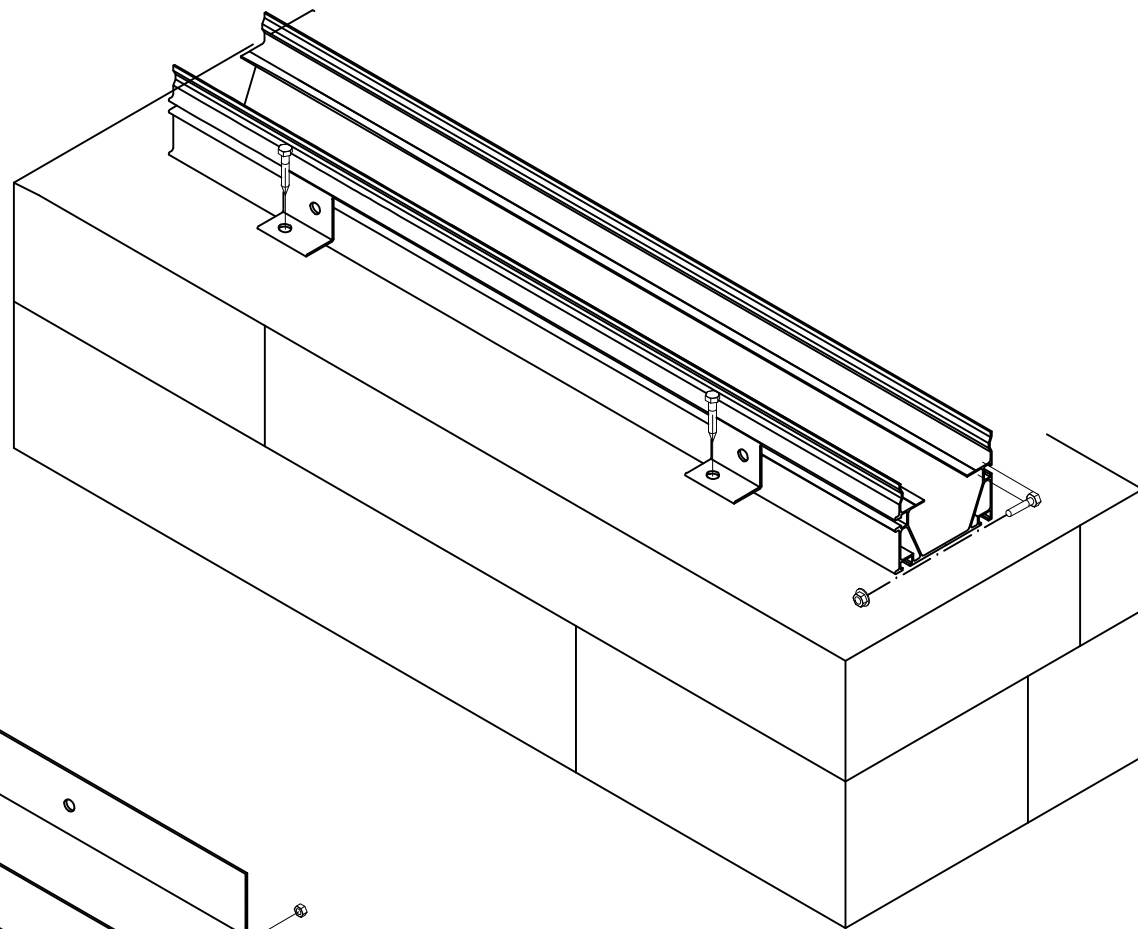

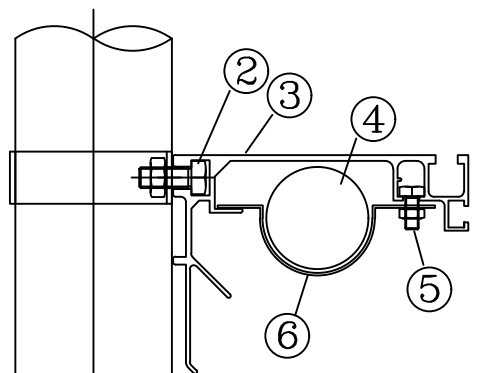
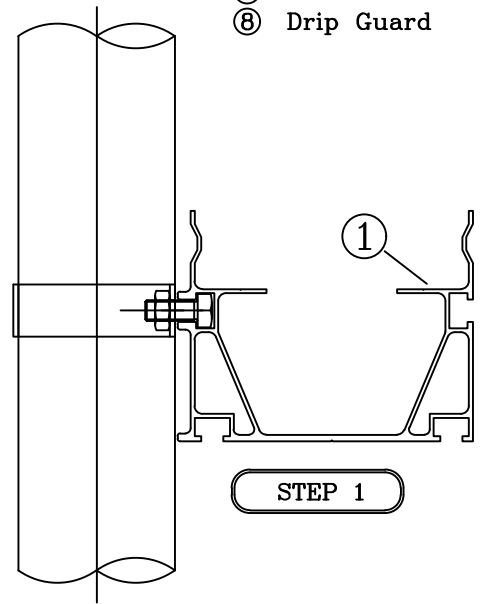


FIGURE 6

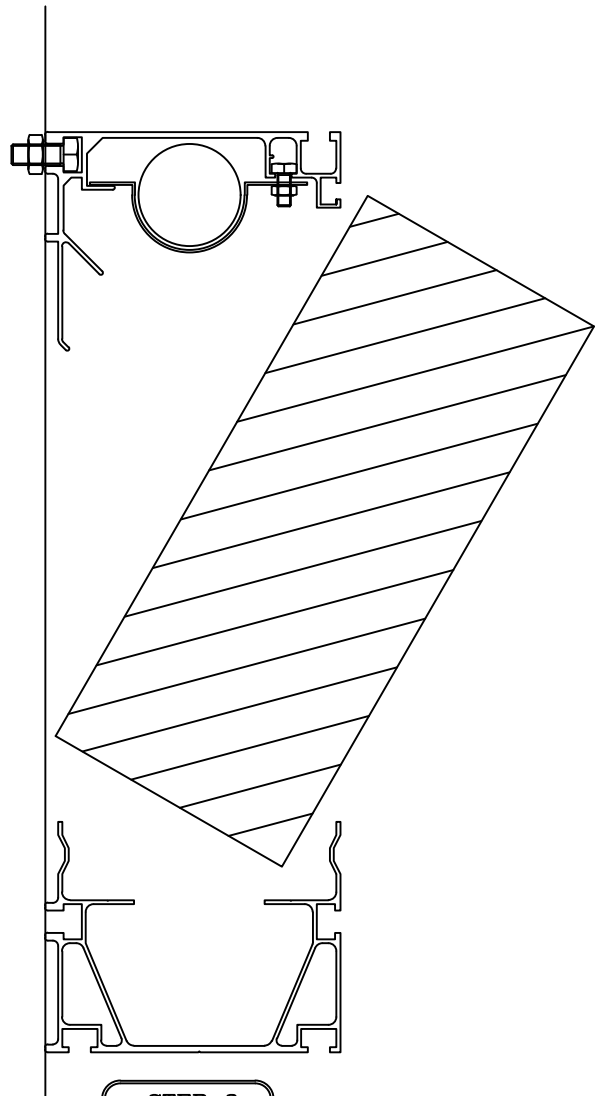
Dimension: cm	Name	Date	 Tel : 88333758~9 Fax : 88023071 P.O.Box : 13185-441 Email: info@marsus.ir www.marsus.ir
Page : 2 / 5	Design Forghani	93/1/28	
	Draw M.rajabi	93/1/28	
	Check Nasiri	93/1/28	



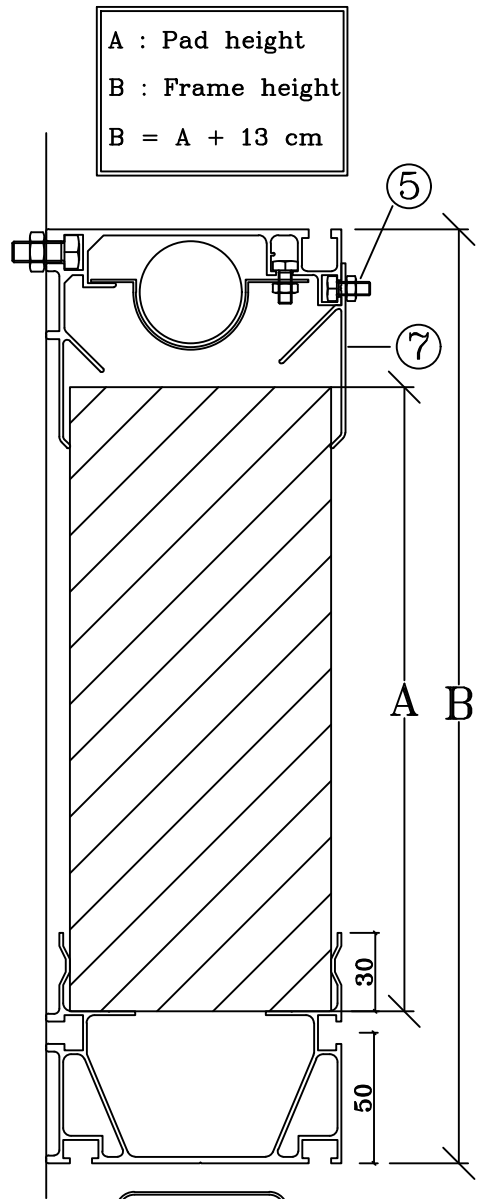
- ① Pad Gutter
- ② M8x20
- ③ Pad Top Cover
- ④ Water Distribution Pipe 1,1/4"
- ⑤ M6x20
- ⑥ Pipe Holder
- ⑦ L Cover
- ⑧ Drip Guard



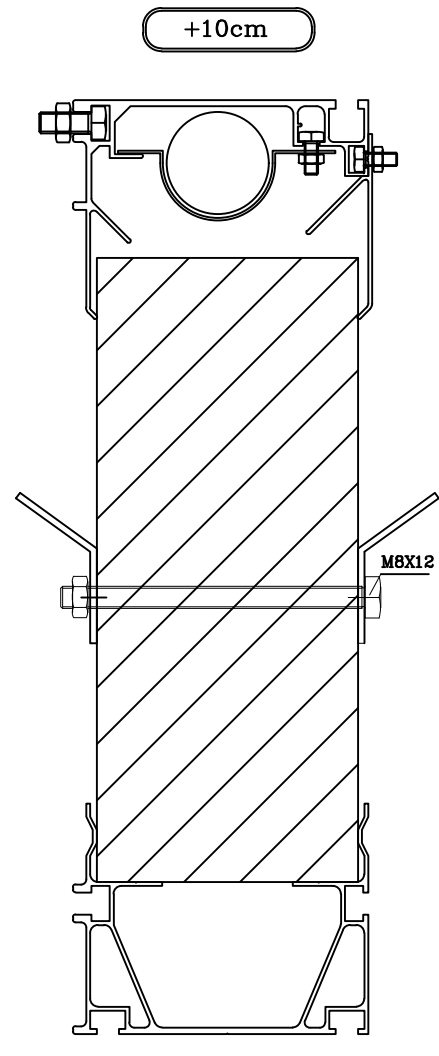
STEP 1



STEP 2



STEP 3



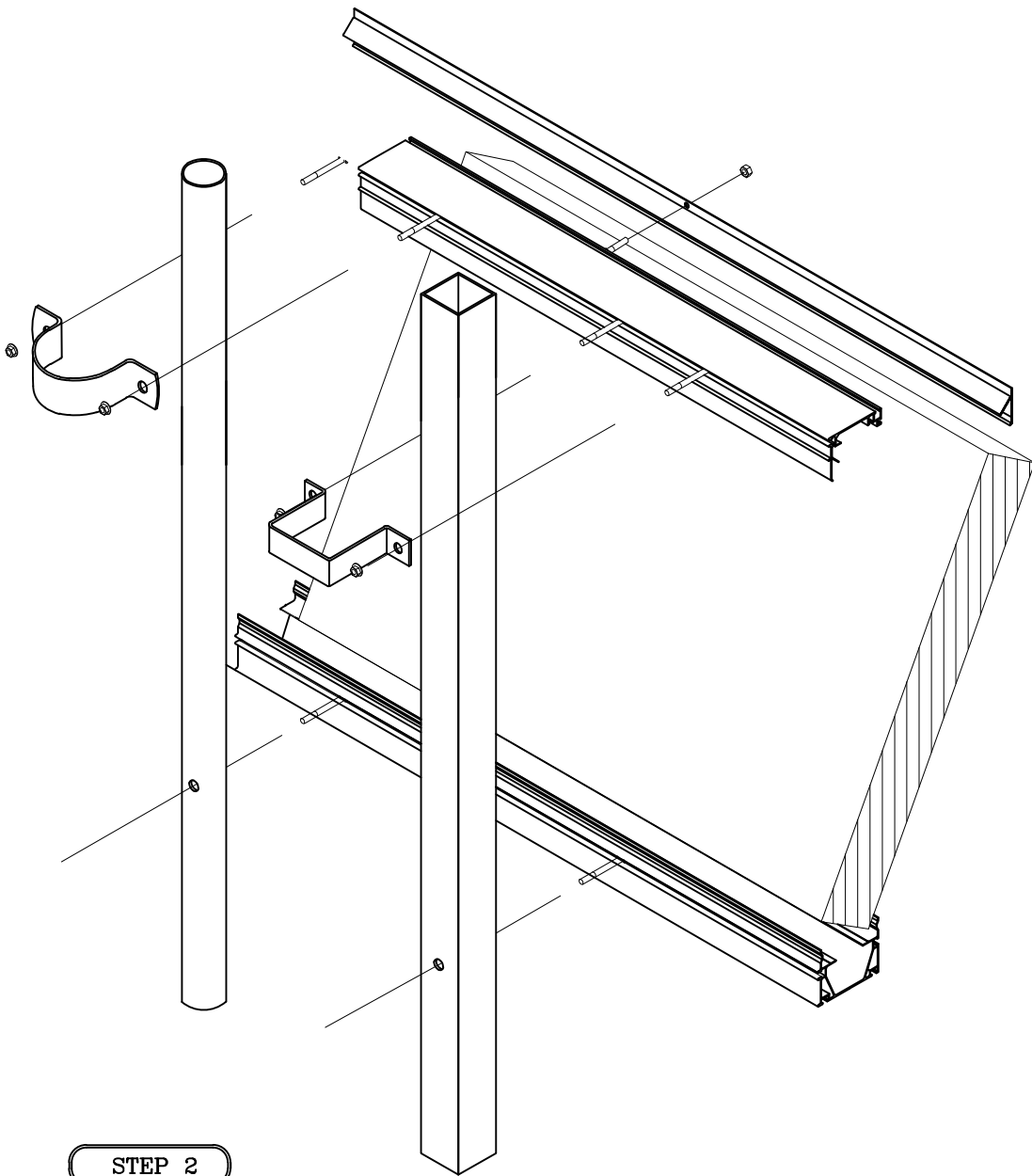
STEP 4

Frame detail

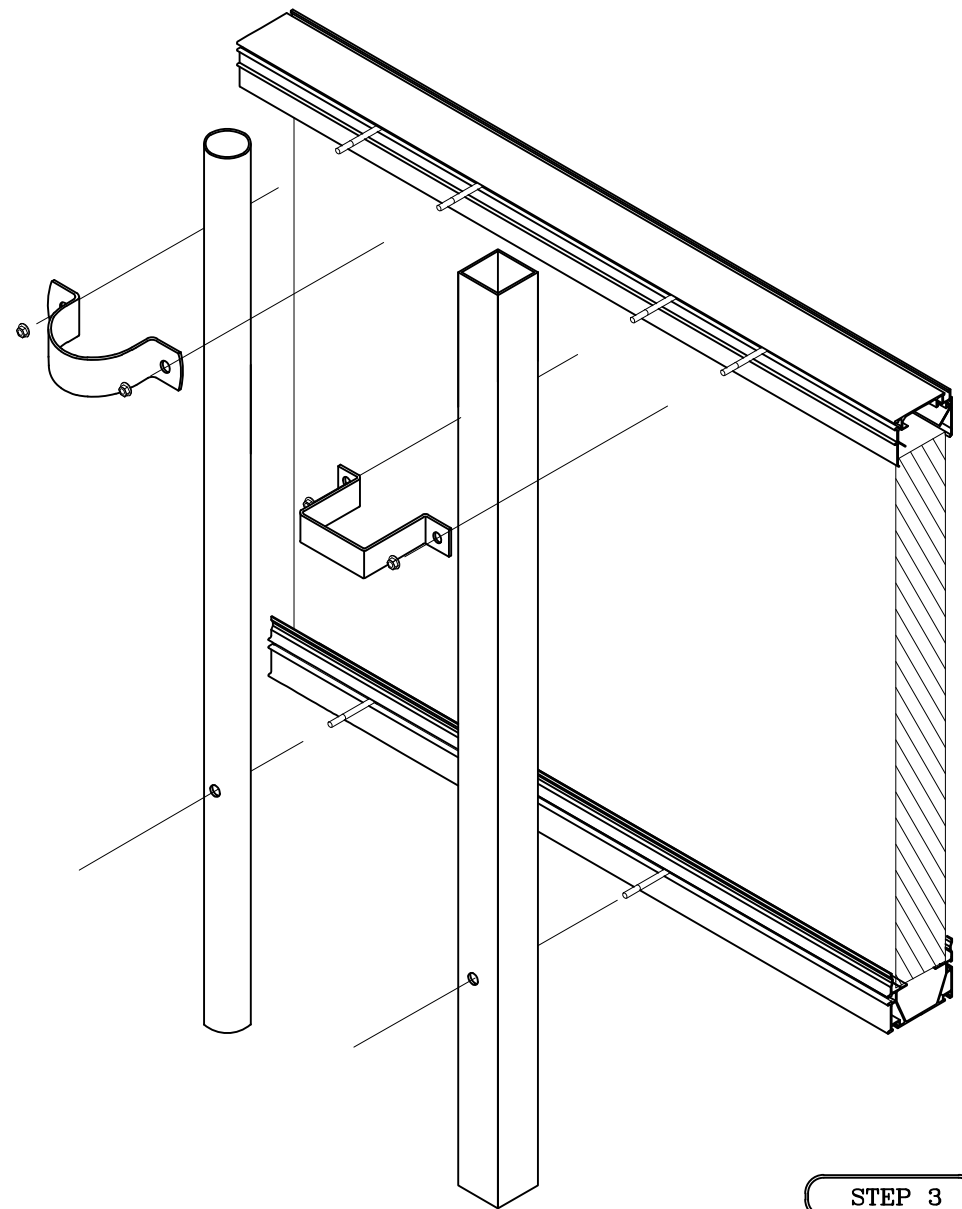
Dimension: cm	Name	Date
Page : 3 / 5	Design Forghani	93/1/28
	Draw M.rajabi	93/1/28
	Check Nasiri	93/1/28






Tel : 88333758~9 Fax : 88023071
 P.O.Box : 13185-441
 Email: info@marsus.ir www.marsus.ir

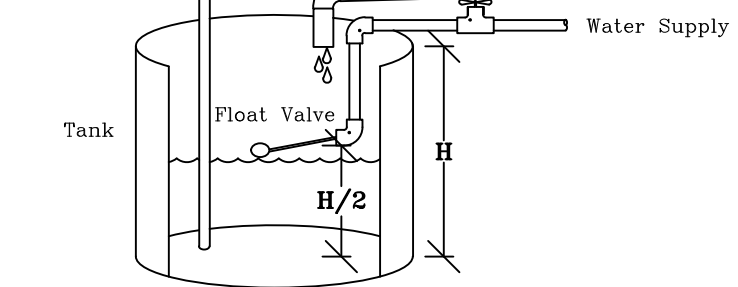
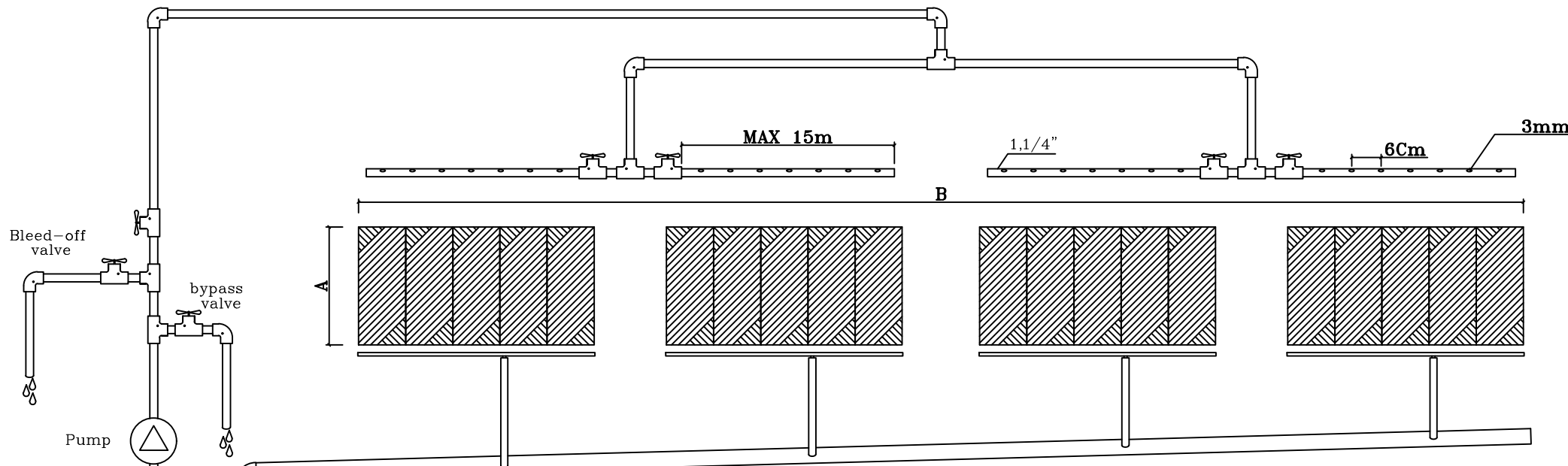


STEP 2

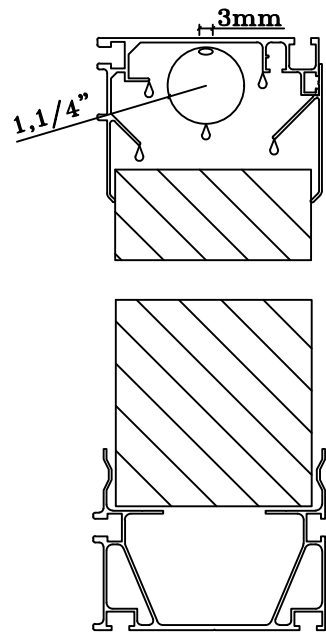


STEP 3

Dimension: cm	Name	Date	 Tel : 88333758~9 Fax : 88023071 P.O.Box : 13185-441 Email: info@marsus.ir www.marsus.ir	
	Design	Forghani		93/1/28
Page : 4 / 5	Draw	M.rajabi		93/1/28
 	Check	Nasiri		93/1/28






PIPING



Pad Thickness	Pump	Tank
10 Cm	Bx6.2 Liter/min	AxBx30.5 Liter
15 Cm	Bx9.3 Liter/min	AxBx40.7 Liter

A= Pad Wall High
B= Pad Wall Width

Dimension: cm	Name	Date	 Tel : 88333758~9 Fax : 88023071 P.O.Box : 13185-441 Email: info@marsus.ir www.marsus.ir	
	Design	Forghani		93/1/28
Page : 5 / 5	Draw	M.rajabi		93/1/28
 	Check	Nasiri		93/1/28