


FIGURE 3

FIGURE 1

FIGURE 2

Dimension: cm	Name	Date	 Tel : 88333758~9 Fax : 88023071 P.O.Box : 13185-441 Email: info@marsus.ir www.marsus.ir
Page : 1 / 6	Design Forghani	95/2/28	
	Draw Forghani	95/2/28	
	Check		

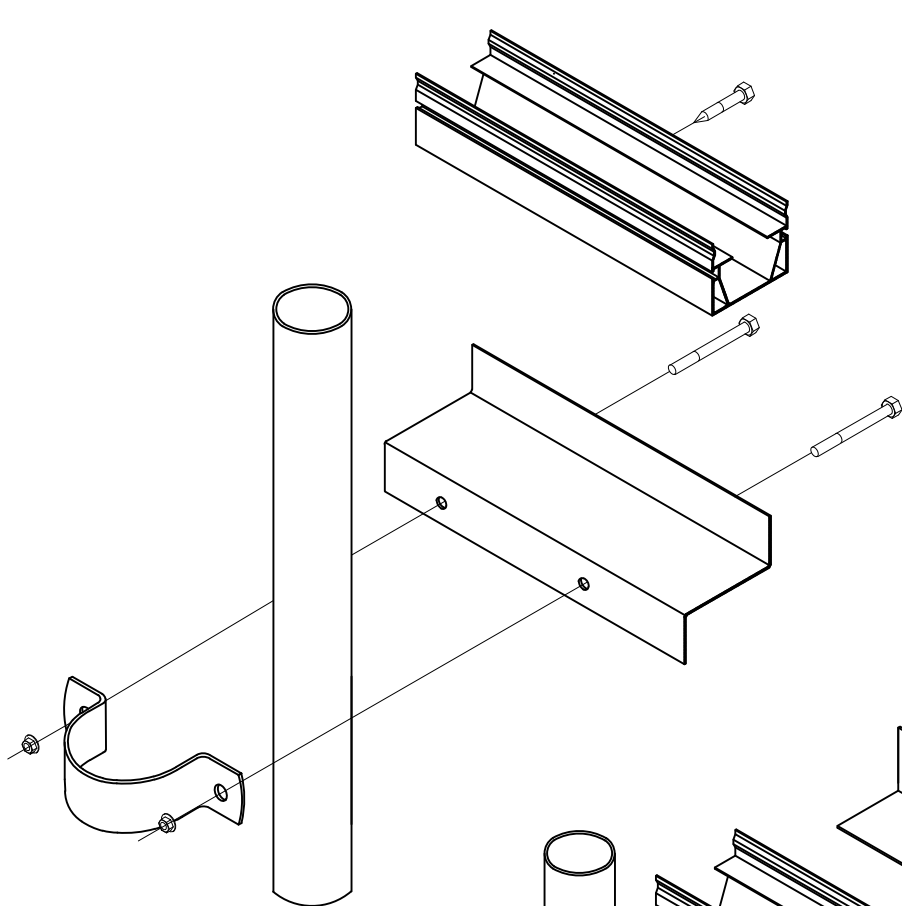


FIGURE 4

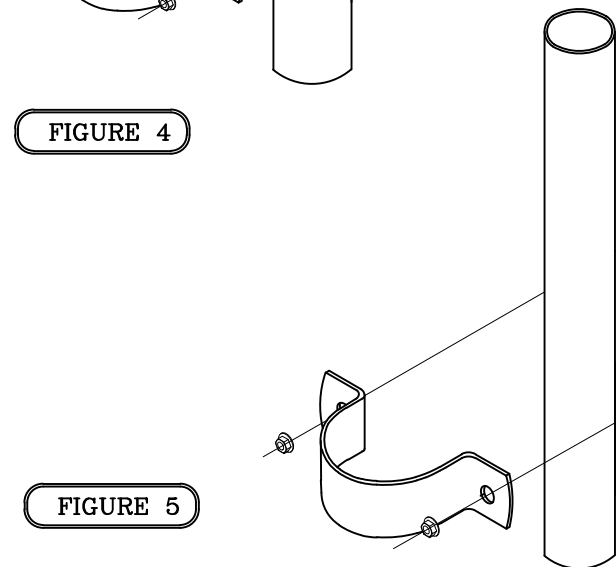


FIGURE 5

Installation type

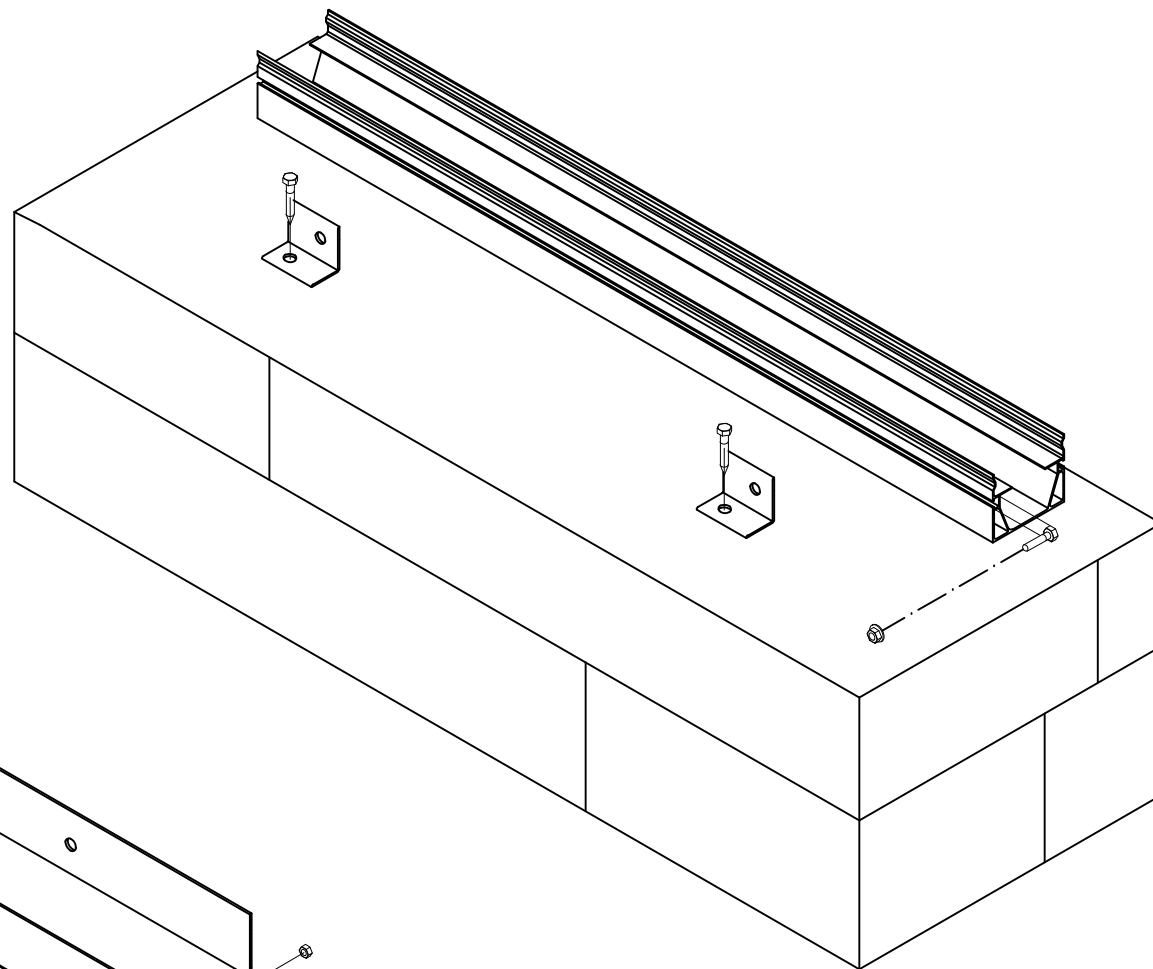

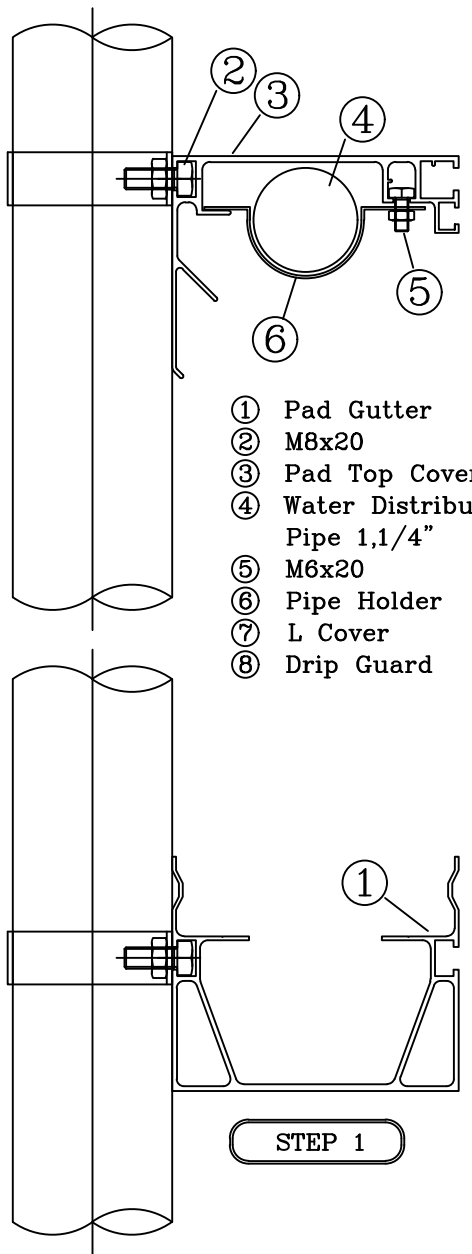


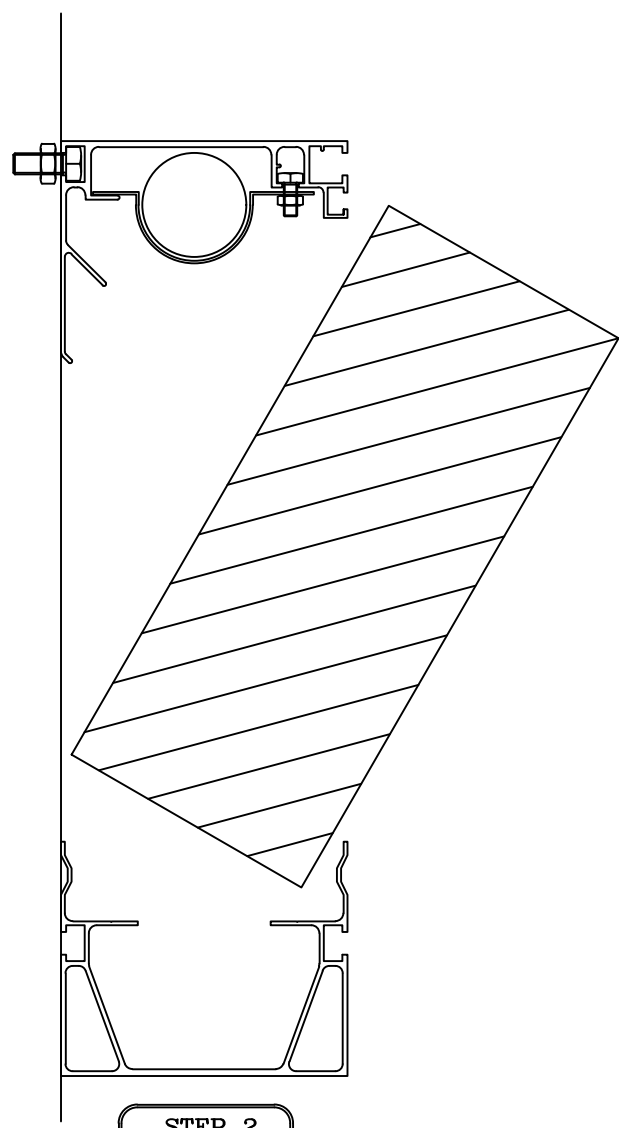
FIGURE 6

Dimension: cm	Name	Date	 Tel : 88333758~9 Fax : 88023071 P.O.Box : 13185-441 Email: info@marsus.ir www.marsus.ir
Page : 2 / 6	Design Forghani	95/2/28	
	Draw Forghani	95/2/28	
	Check		

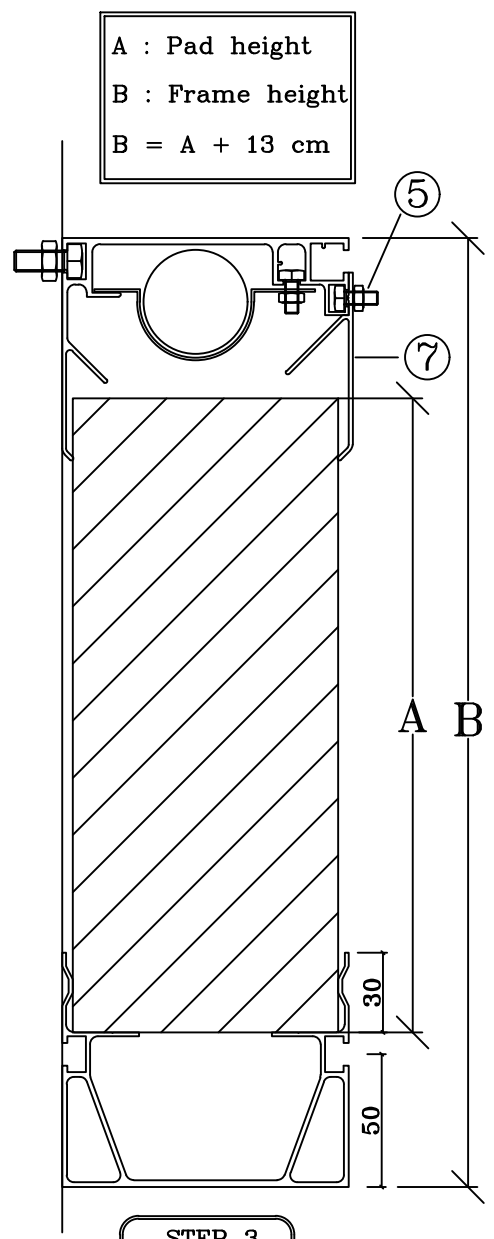


- ① Pad Gutter
- ② M8x20
- ③ Pad Top Cover
- ④ Water Distribution Pipe 1,1/4"
- ⑤ M6x20
- ⑥ Pipe Holder
- ⑦ L Cover
- ⑧ Drip Guard

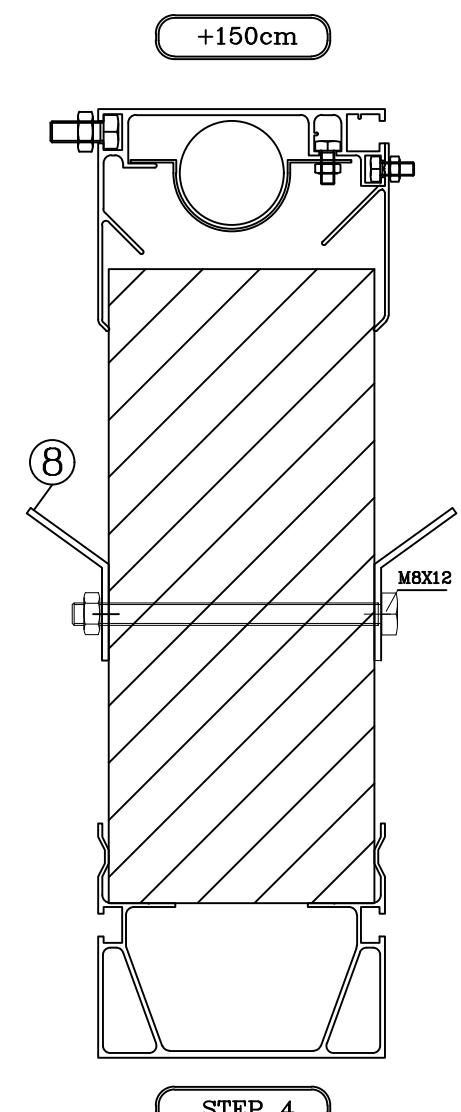
STEP 1



STEP 2



STEP 3



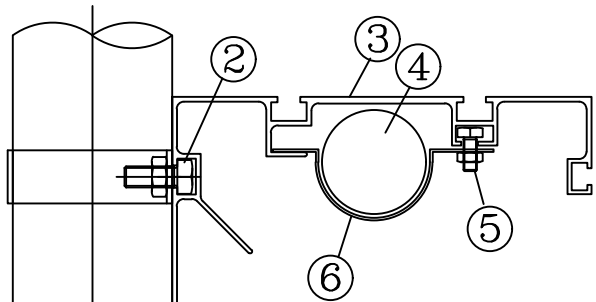
STEP 4

Frame detail

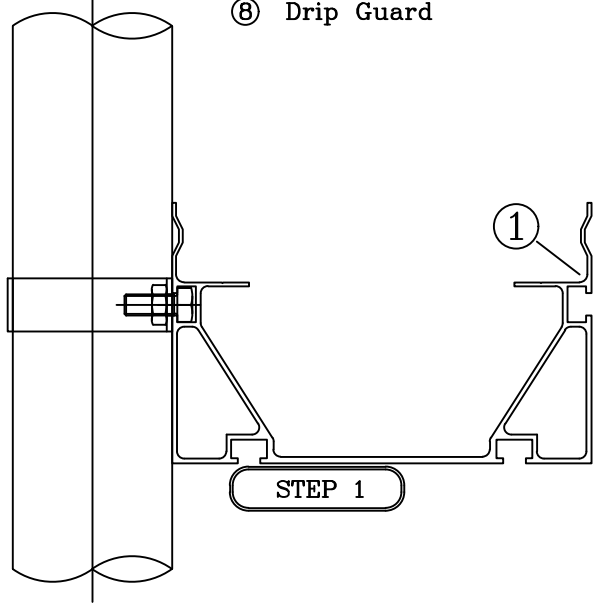
Dimension: cm	Name	Date
Page : 3 / 6	Design Forghani	94/2/28
	Draw Forghani	94/2/28
	Check	

MARSUS COM

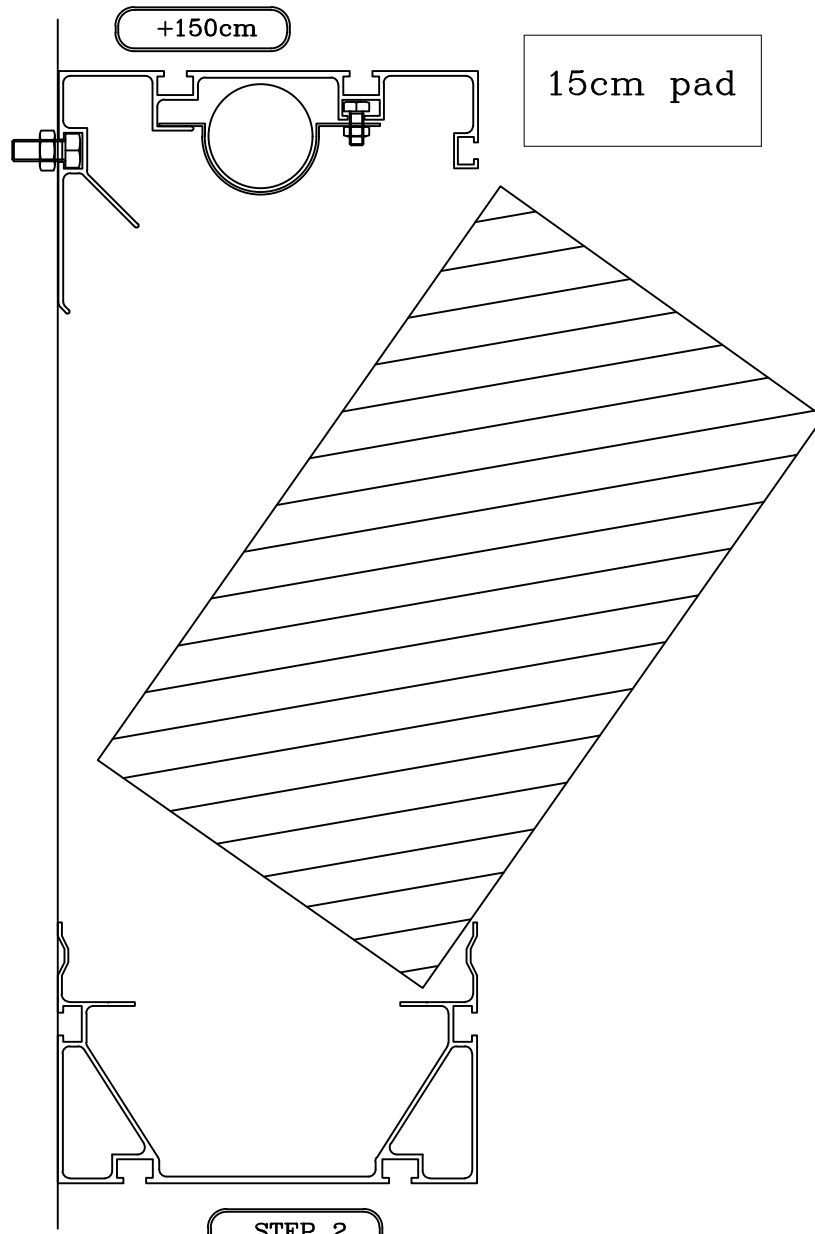
Tel : 88333758~9 Fax : 88023071
P.O.Box : 13185-441
Email: info@marsus.ir www.marsus.ir



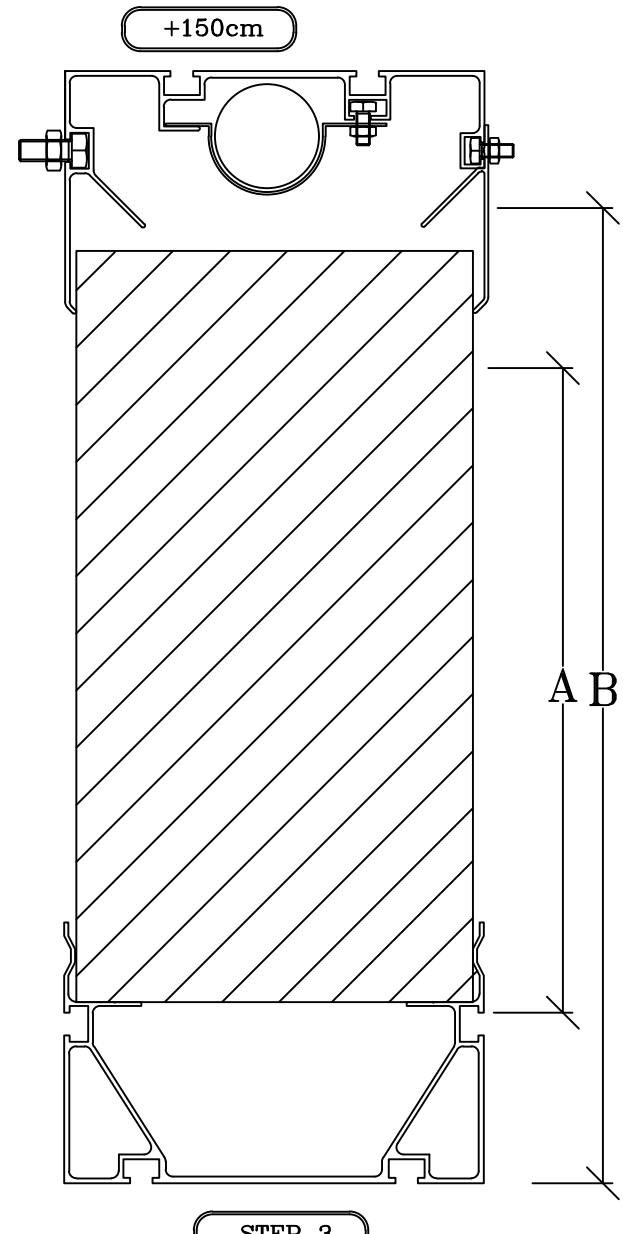
- ① Pad Gutter
- ② M8x20
- ③ Pad Top Cover
- ④ Water Distribution Pipe 1,1/4"
- ⑤ M6x20
- ⑥ Pipe Holder
- ⑦ L Cover
- ⑧ Drip Guard




STEP 1

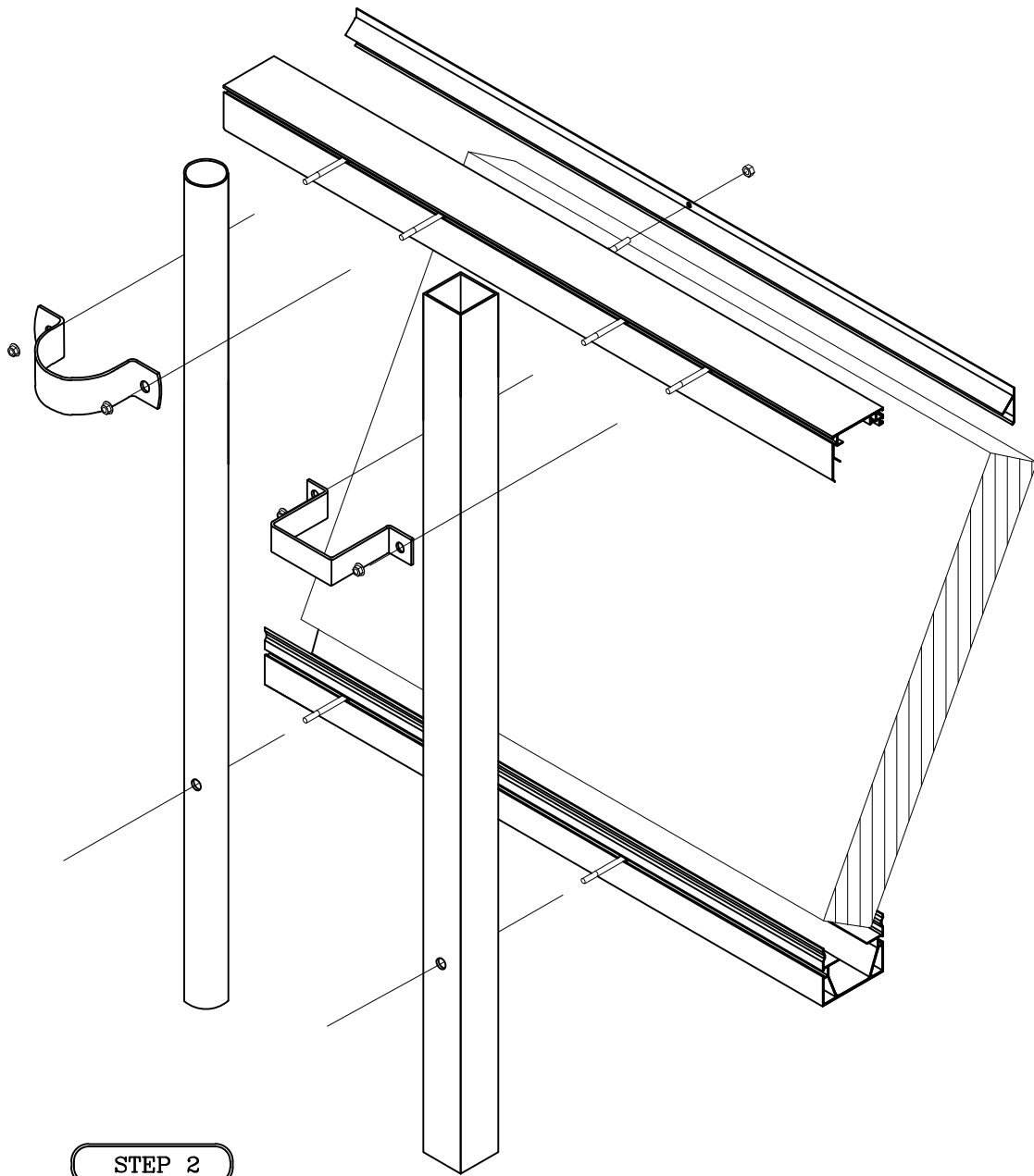


STEP 2

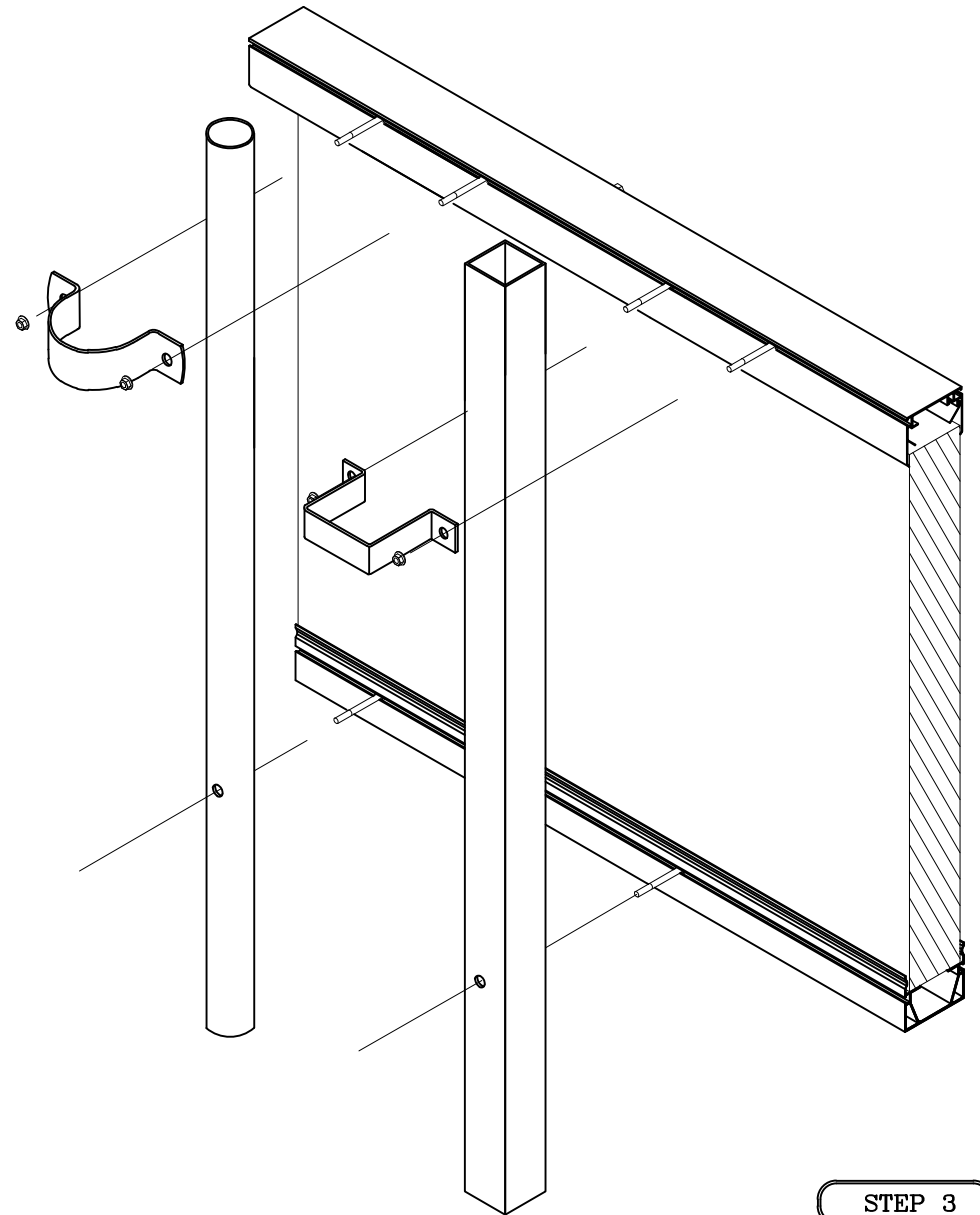


STEP 3


Dimension: cm	Name	Date	 Tel : 88333758~9 Fax : 88023071 P.O.Box : 13185-441 Email: info@marsus.ir www.marsus.ir
Page : 4 / 6	Design Forghani	95/2/28	
	Draw Forghani	95/2/28	
	Check		

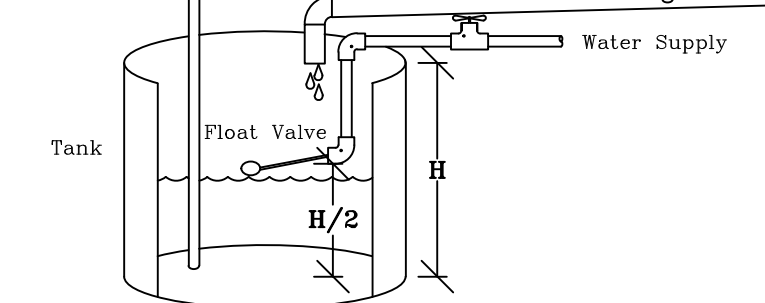
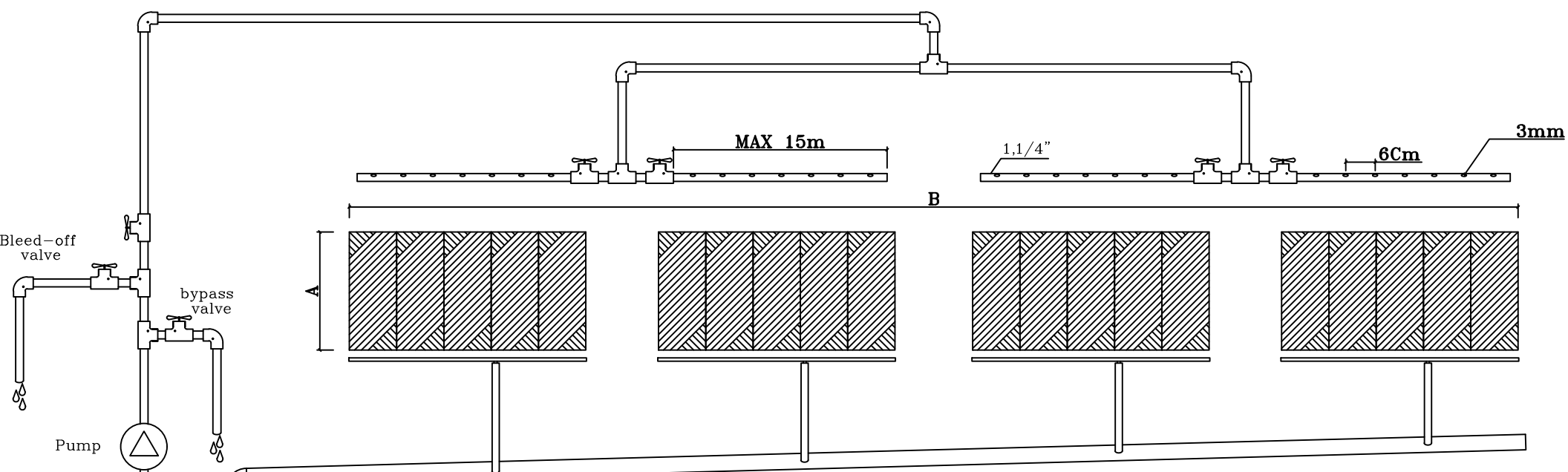


STEP 2

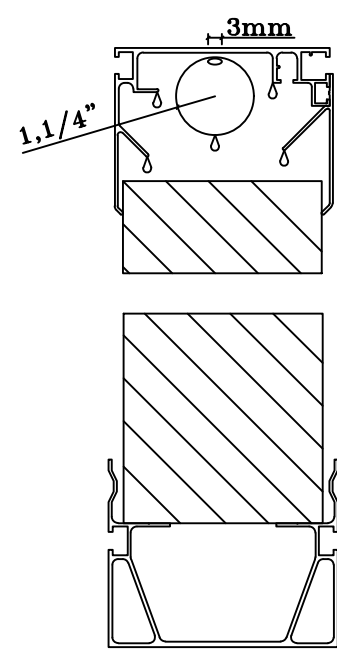


STEP 3

Dimension: cm	Name	Date	 Tel : 88333758~9 Fax : 88023071 P.O.Box : 13185-441 Email: info@marsus.ir www.marsus.ir
Page : 5 / 6	Design Forghani	95/2/28	
	Draw Forghani	95/2/28	
	Check		




PIPING



Pad Thickness	Pump	Tank
10 Cm	Bx6.2 Liter/min	AxBx30.5 Liter
15 Cm	Bx9.3 Liter/min	AxBx40.7 Liter

A= Pad Wall High
 B= Pad Wall Width

Dimension: cm	Name	Date	 Tel : 88333758~9 Fax : 88023071 P.O.Box : 13185-441 Email: info@marsus.ir www.marsus.ir
Page : 6 / 6	Design Forghani	95/2/28	
	Draw Forghani	95/2/28	
	Check		