

FIGURE 1

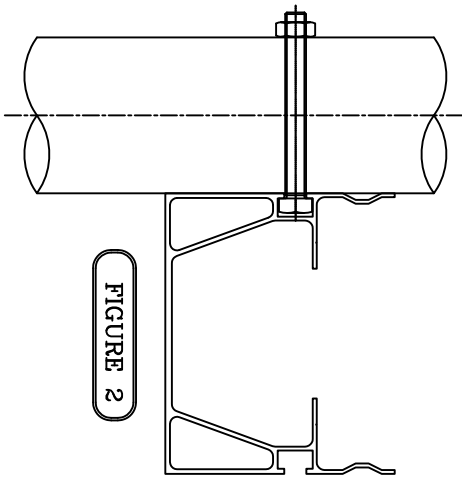


FIGURE 2

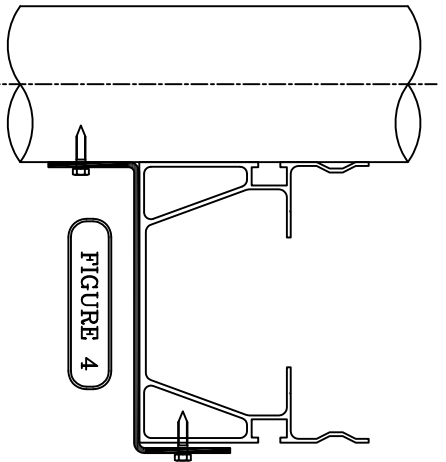


FIGURE 4

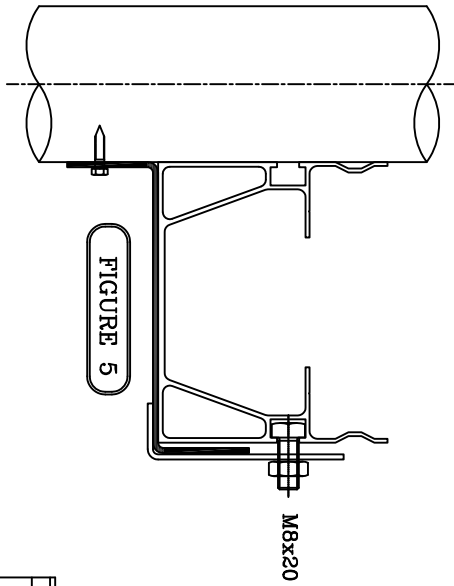


FIGURE 5

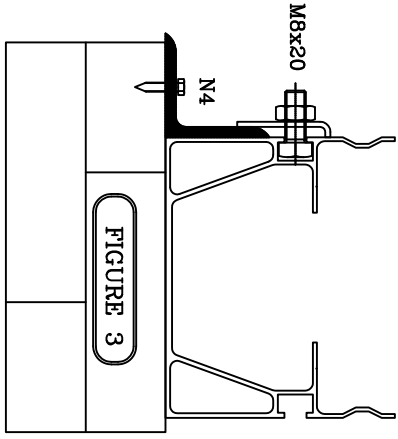
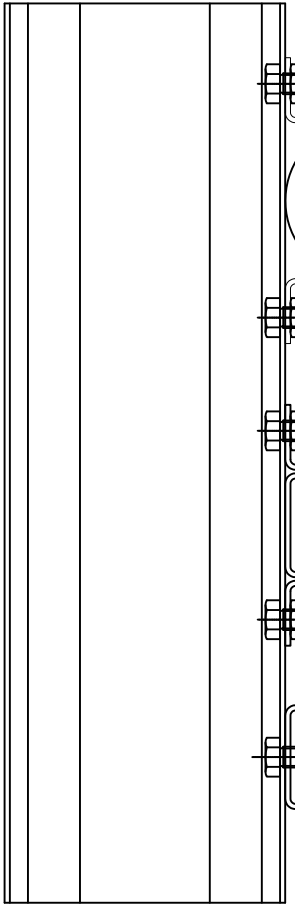
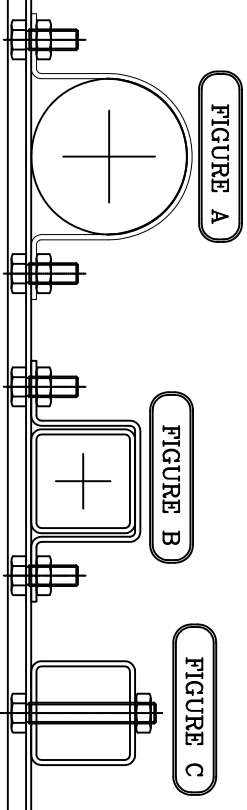
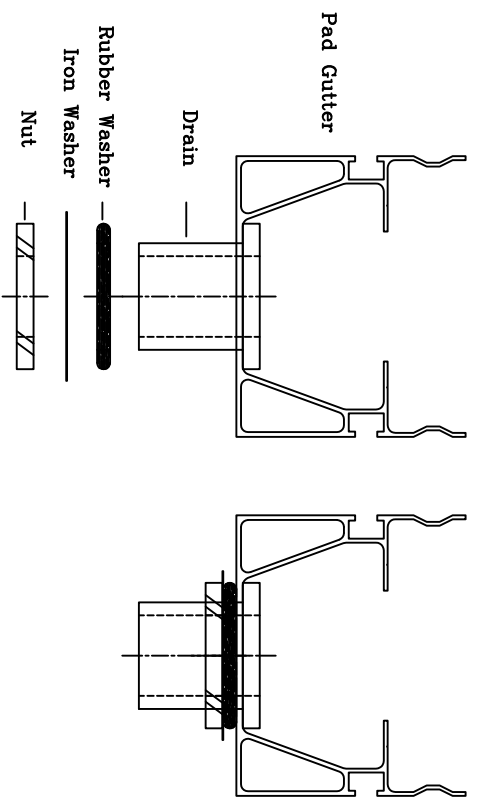


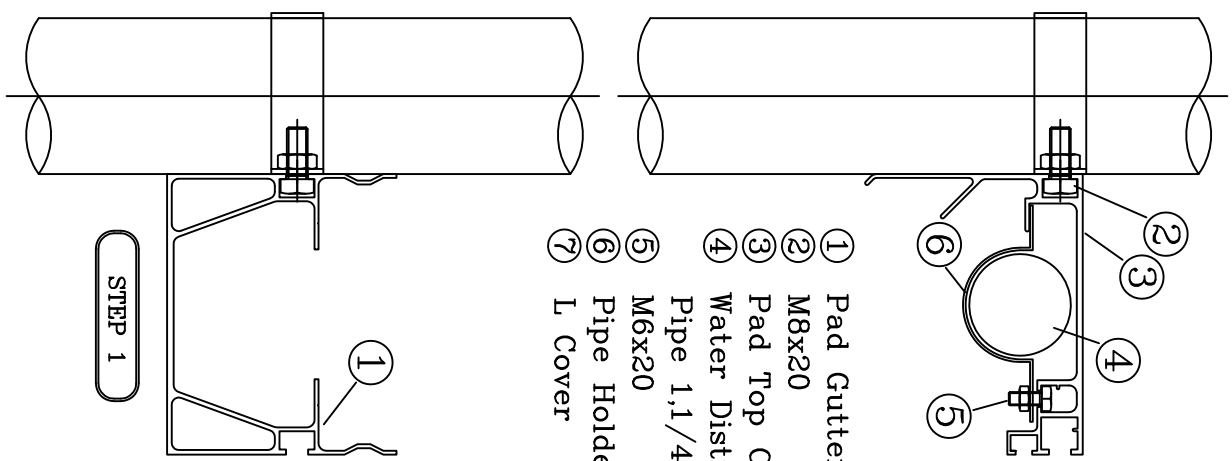
FIGURE 3



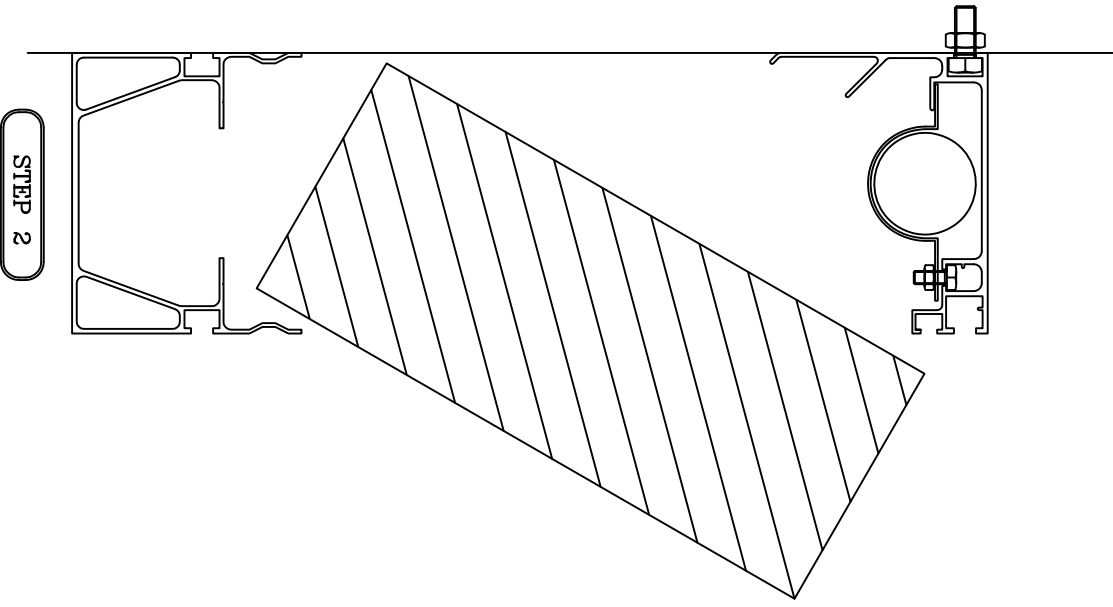
Dimension: cm	Name	Date	MARSUS.com
Scale:	Design Forghani	90/01/20	
	Draw	90/01/20	
	Check Nasiri	90/01/20	



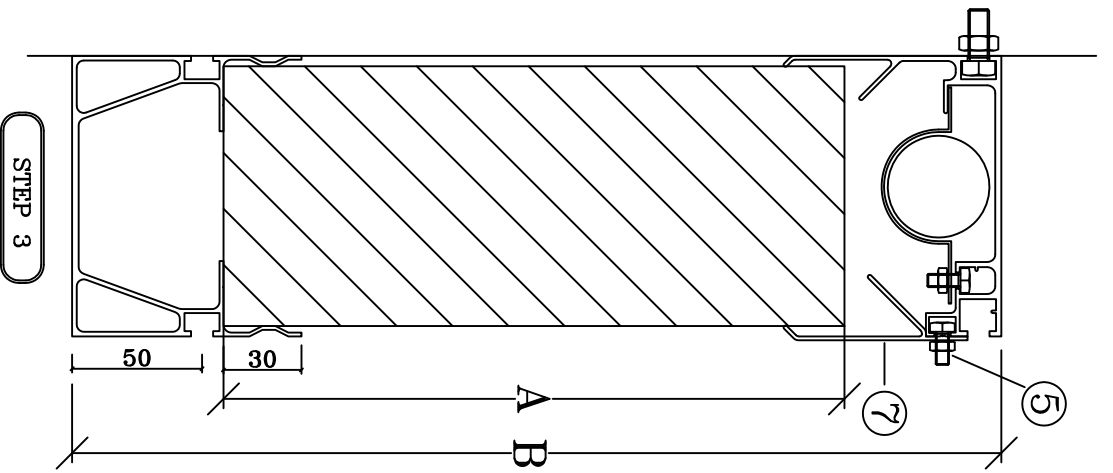
- ① Pad Gutter
- ② M8x20
- ③ Pad Top Cover
- ④ Water Distribution Pipe 1,1/4"
- ⑤ M6x20
- ⑥ Pipe Holder
- ⑦ L Cover



STEP 1



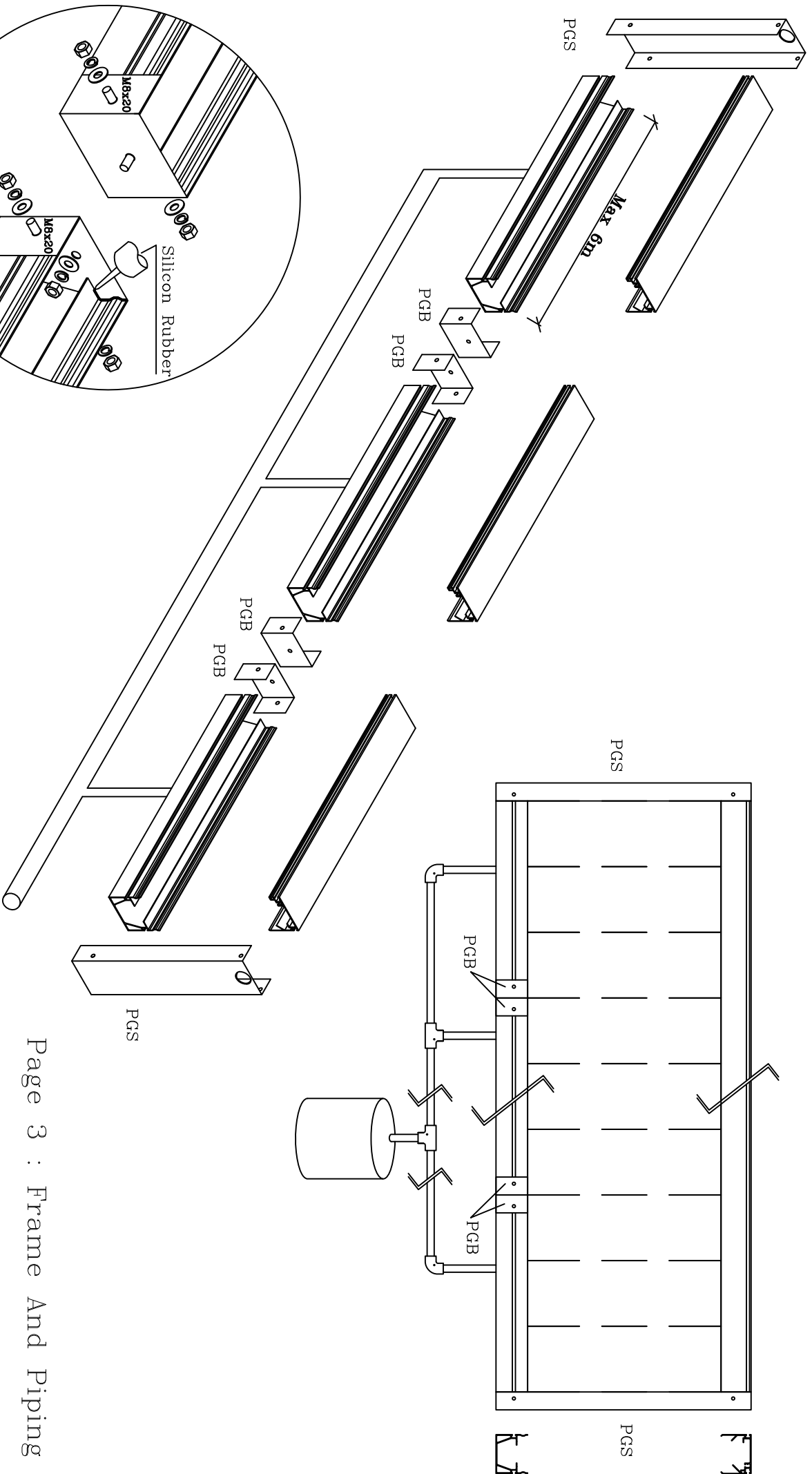
STEP 2



STEP 3

A : Pad height
 B : Frame height
 B = A + 13 cm

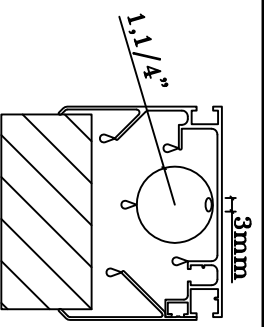
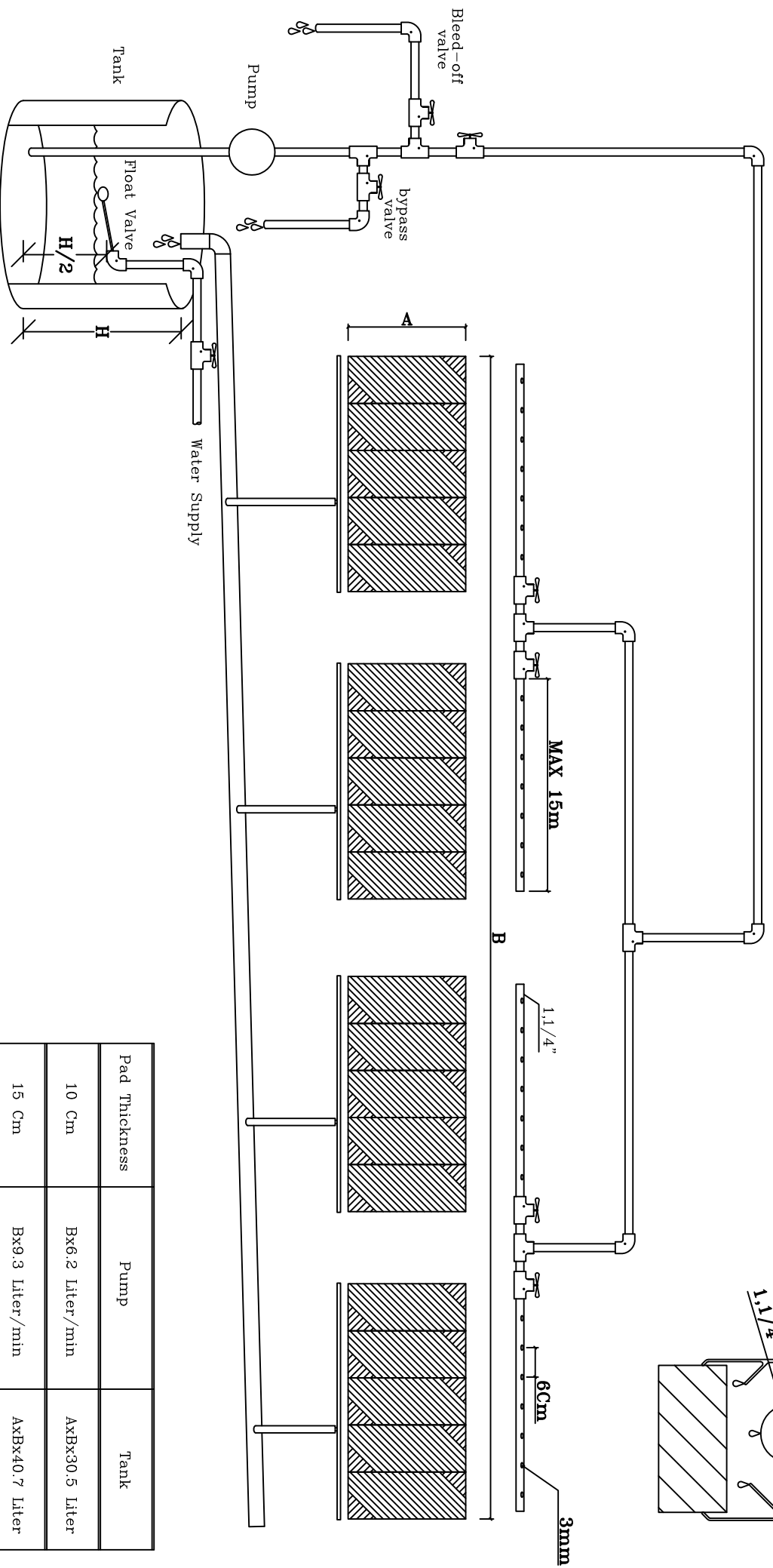
Dimension: mm		Name	Date
Scale:		Design Forghani	90/01/20
		Draw	90/01/20
		Check Nasiri	90/01/20
MARSUS.COM			



Page 3 : Frame And Piping

Dimension: cm	Name	Date
Scale:	Design Forghani	90/01/20
	Draw	90/01/20
	Check Nasiri	90/01/20





Pad Thickness	Pump	Tank
10 Cm	Bx6.2 Liter/min	AxBx30.5 Liter
15 Cm	Bx9.3 Liter/min	AxBx40.7 Liter

Dimension: cm	Name	Date
	Design Forghani	90/01/20
	Draw	90/01/20
	Check Nasiri	90/01/20

Scale:

